

**Design No. N845  
BXUV.N845  
Fire Resistance Ratings - ANSI/UL 263**

[Page Bottom](#)

**Design/System/Construction/Assembly Usage Disclaimer**

- Authorities Having Jurisdiction should be consulted in all cases as to the particular requirements covering the installation and use of UL Listed or Classified products, equipment, system, devices, and materials.
- Authorities Having Jurisdiction should be consulted before construction.
- Fire resistance assemblies and products are developed by the design submitter and have been investigated by UL for compliance with applicable requirements. The published information cannot always address every construction nuance encountered in the field.
- When field issues arise, it is recommended the first contact for assistance be the technical service staff provided by the product manufacturer noted for the design. Users of fire resistance assemblies are advised to consult the general Guide Information for each product category and each group of assemblies. The Guide Information includes specifics concerning alternate materials and alternate methods of construction.
- Only products which bear UL's Mark are considered as Classified, Listed, or Recognized.

**Fire Resistance Ratings - ANSI/UL 263**

[See General Information for Fire Resistance Ratings - ANSI/UL 263](#)

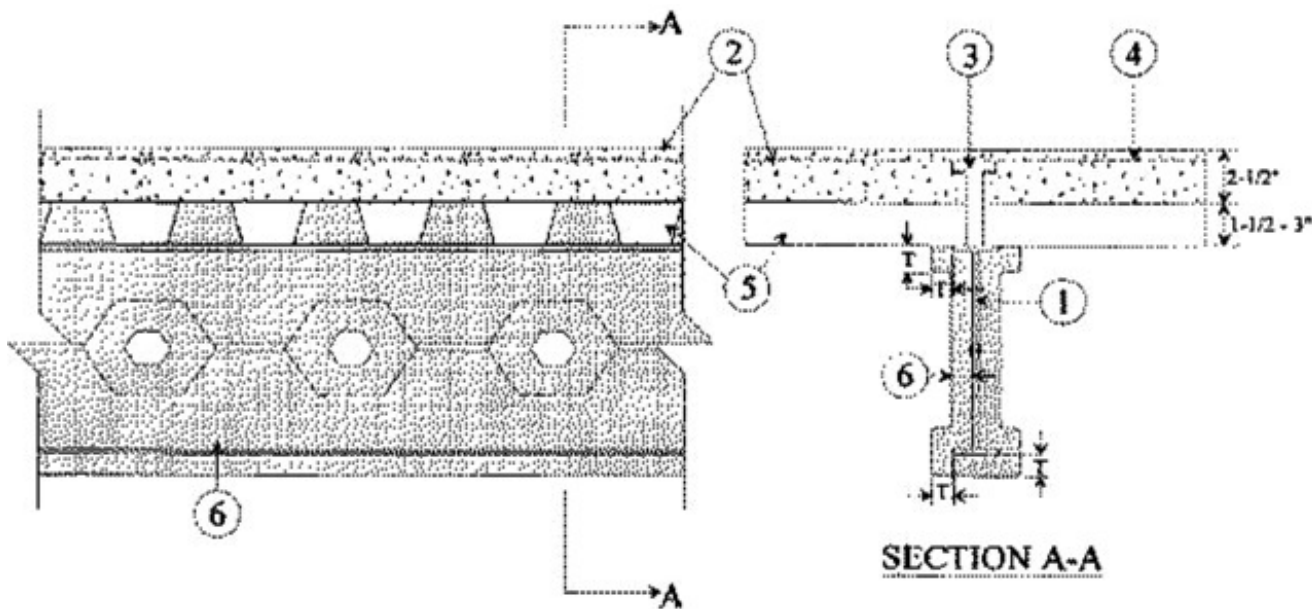
**Design No. N845**

November 23, 2011

**Restrained Beam Ratings – 1, 1-1/2, 2, 3 & 4 Hr**

**Unrestrained Beam Ratings – 1, 1-1/2, 2, 3 & 4 Hr**

**Load Restricted for Canadian Applications – See Guide [BXUV7](#)**



1. **Structural Steel Members\*** – Tye CB12 x 10 min size.

**CMC STEEL PRODUCTS**

- 2. **Lightweight Concrete** — Compressive strength 3500 psi. Unit weight 110 (plus or minus 3 ) pcf.
- 3. **Shear Connector (Optional)** — Studs, 1/2 in. diam headed type or equivalent per AISC specifications. Welded to top flange of beam through the steel floor units.
- 4. **Welded Wire Fabric** — 6x6, W1.4xW1.4.
- 5. **Steel Floor And Form Units** — 1-1/2, 2 or 3 in. deep fluted units, welded to beam.
- 6. **Spray-Applied Fire Resistive Materials\*** — Applied by mixing with water and spraying in more than one coat to the beam to the final thicknesses shown below. Deck crest areas shall be filled with Spray-Applied Fire Resistive Materials above the beam. Beam surfaces must be clean and free of dirt, loose scale and oil. Min avg and min ind density of 15/14 pcf respectively. Min avg and min ind density of 19/18 pcf respectively for Types 7GP and 7HD. For method of density determination, see Design Information Section.

Thickness, In.		
Rating Hr	Unrestrained Beam Rating Hr	Restrained Beam Rating Hr
1	1-1/16	1-1/16
1-1/2	1-5/16	1-1/16
2	1-3/4	1-3/8
3	2-1/2	2-1/16
4	3-1/4	2-11/16

**SOUTHWEST FIREPROOFING PRODUCTS CO** — Types 5, 5EF, 5GP, 5AR, 5GP/AR, 5EF/AR, 5MD/AR, 5MD, 7GP, 7HD.

\*Bearing the UL Classification Mark

Last Updated on 2011-11-23

[Questions?](#)

[Print this page](#)

[Terms of Use](#)

[Page Top](#)

© 2012 UL LLC

When the UL Leaf Mark is on the product, or when the word "Environment" is included in the UL Mark, please search the [UL Environment database](#) for additional information regarding this product's certification.

The appearance of a company's name or product in this database does not in itself assure that products so identified have been manufactured under UL's Follow-Up Service. Only those products bearing the UL Mark should be considered to be Listed and covered under UL's Follow-Up Service. Always look for the Mark on the product.

UL permits the reproduction of the material contained in the Online Certification Directory subject to the following conditions: 1. The Guide Information, Designs and/or Listings (files) must be presented in their entirety and in a non-misleading manner, without any manipulation of the data (or drawings). 2. The statement "Reprinted from the Online Certifications Directory with permission from UL" must appear adjacent to the extracted material. In addition, the reprinted material must include a copyright notice in the following format: "© 2012 UL LLC".

